

## Combined with SD-97W to make filled food products

With the SD-97W Encrusting and Forming Machine in this stage, dough can be quickly wrapped around filling.



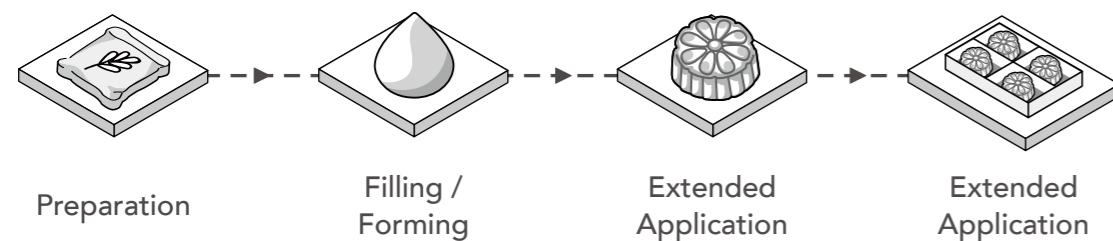
Capacity: **1,000–4,000** pcs/hr  
Product Weight: **10-70** g/pc



## Automatic Stamping and Aligning Machine

### STA-360

### Let ANKO Create a Maamoul Production Solution for You.



With ANKO's "maamoul production solution", you can receive comprehensive maamoul production planning and one-stop purchase service. ANKO's sales engineers can provide consulting services on machine selection, production line planning, workflow, staff deployment, and recipe, according to your needs, factory, and conditions and hand you a tailored production solution.



[Find maamoul production planning proposal and equipment →](#)



#### HEADQUARTERS

##### ANKO FOOD MACHINE CO., LTD.

No.351, Sec. 1, Zhongzheng Rd., Sanxia Dist.,  
New Taipei City 237, Taiwan

T 886-2-26733798 | F 886-2-26733697

E [anko@anko.com.tw](mailto:anko@anko.com.tw) | W [www.anko.com.tw](http://www.anko.com.tw)

#### USA BRANCH OFFICE

##### ANKO FOOD TECH INC.

635 W Allen Ave, San Dimas,  
CA 91773, U.S.A

T +1-909-599-8186

E [info@ankofoodtech.com](mailto:info@ankofoodtech.com)



## Specifications

Dimensions: 2,900 (L) x 2,500 (W) x 1,650 (H) mm

Power: 2 kW

Air consumption: 200 L/min

Min. power of air compressor required: 0.75 kW

Baking tray size: 80 (L) x 58–60 (W) x 1–3 (H) cm

Optional accessories: CE kit

Weight (net): 700 kg

\* Specifications are subject to change without notice.

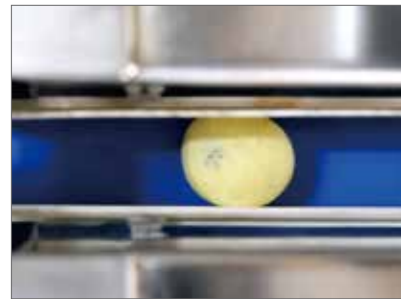
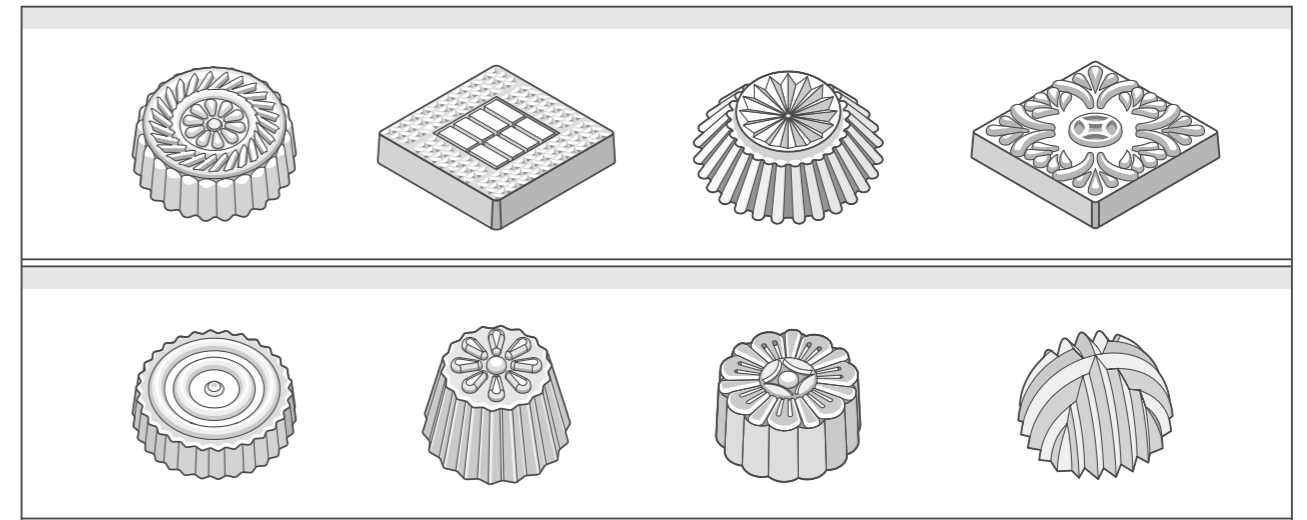


CE



## CUSTOMIZED SERVICE FOR STAMPING MOLD

The pattern and the shape of stamping mold can be customized as required.



## The design of the tray descending unit helps increase efficiency

The tray descending unit can load 15 trays to optimize continuous production.

- Easy to use, even for first-time users.
- The stamping mold is equipped with a special device to facilitate demolding and prevent products from sticking.
- The infrared sensing aligning device can automatically and precisely arrange products on trays.
- The machine layout can be straight or L-line as required to fit in your factory.

## Obtained the Certificate of Conformity to Machinery Directive

The machine complies with the EU safety regulations and has the CE marking. You could choose the model to ensure working safety.



Watch Video

## THE STAMPING MOLD CAN WORK WELL WITH DIFFERENT FILLING

Filling that has different consistencies at different water contents, such as peanut powder, sesame paste, bean paste, cheese, and meat, will not leak out when the cakes are shaped and stamped with a pattern.

## FOOD PRODUCED BY THIS MACHINE



Maamoul



Moon Cake