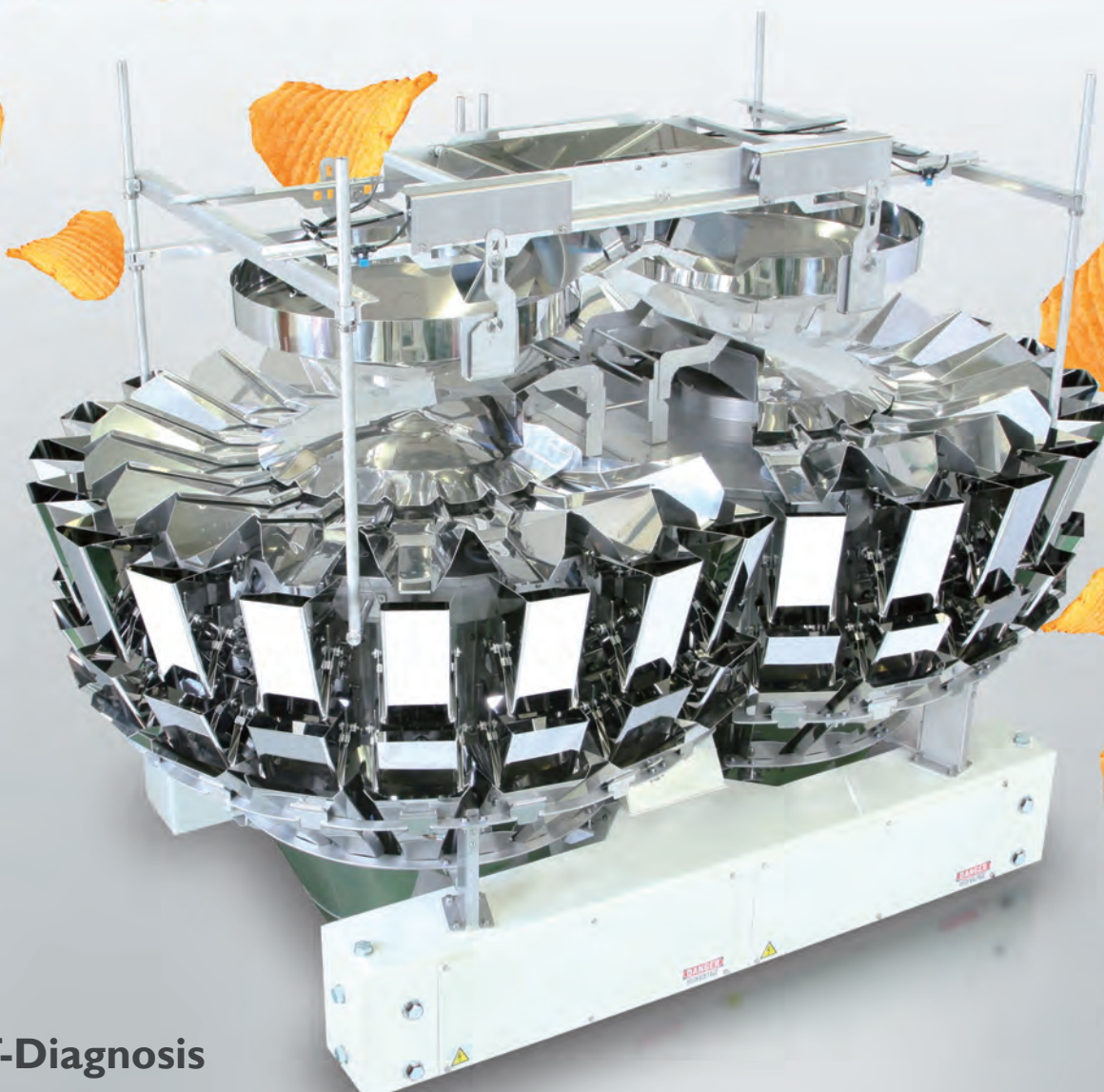


# Yamato

# Dataweigh™

## SNACK VERSION



**Self-Diagnosis**  
**Self-Recovery**  
**Optimum Control**  
**Remote Maintenance**

# Dataweigh™ SNACK VERSION

The food industry has been driven by its own specific requirements for high speed weighing performance and as the fastest developing food sector, that demand is set to increase. In accelerating the drive for higher line speeds, Yamato has taken its extensive, well-proven multihead technology to provide tailored fast weighing system without compromising complete accuracy whilst ensuring long-term reliability and customer support.



## Excellent Hygiene

All operating systems, including the radial feeders are totally enclosed to provide superior hygiene. And, all product contact surfaces are removable without tools and feeder trays and buckets are fully interchangeable.

## Drive System

Dataweigh™ uses accurate and repeatable stepper motors for bucket door actuation. Motor patterns are adjustable and programmable to ensure the highest speed and efficiency for a wide variety of products.

## Spring-less Radius Corner Bucket

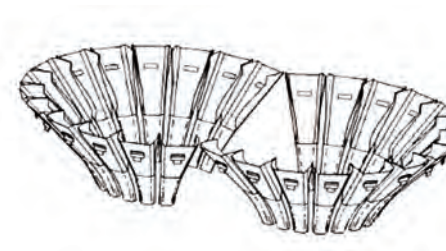
All bucket doors are driven by stepper motor without external springs. The stepper motor adjusts the action of the door quick or slow to meet the situation of the products character or the target weight. Since spring-free bucket reduces seasoning dust accumulation, it avoids the fault caused by dust penetration and clears the sanitary problem.

## Individual Type Collating Chutes for ADW-A-0328SN

The Individual Type Collating Chutes are correctly set to aim the center point. The dumped products travel the same distance from any position of the bucket. The Individual Type Collating Chutes prevent the products from rotating on the chutes. The dumped products straightly slide down on the chutes surface in a moment.

## Basic Features

- Reduces power consumption by up to 60 per cent
- Ensures a continuous and optimum product feeding
- Advanced maintenance concept to minimize downtime
- Features auto-tuning and automatic feeding control
- 10.4" color touch screen monitor for intelligent and user-friendly interface



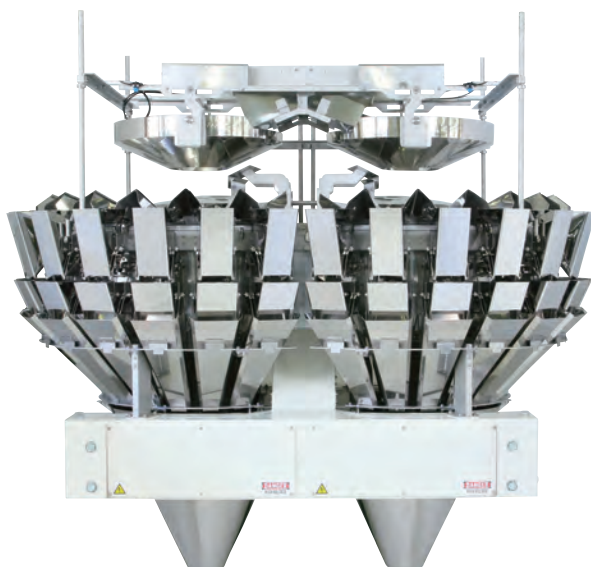


## ADW-A-0314S

The steep Collating Chute enables high-speed single discharge up to 140 weighs per minute. A proven and trusted design backed by a number of machines in the field.

## ADW-A-0316MN

The stable discharge with 100 weighs for two single tubes. The dedicated Duck Mouth Collection Bucket works for optimum feeding into VFFS machines. The Diverter Infeed Funnel is incorporated as standard.



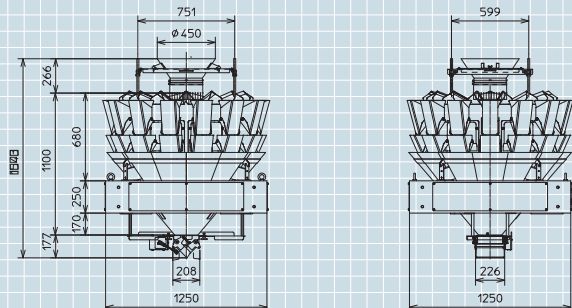
## ADW-A-0328SN

Yamato presents a new solutions with the 28 head twin weigher which features new feeding control to increase accuracy and while reducing power consumption. Enhances productivity with two high-speed single tubes. The twin configurations of two high-speed VFFS machines for reduced footprint, enhanced performance and increased productivity per available floor space.

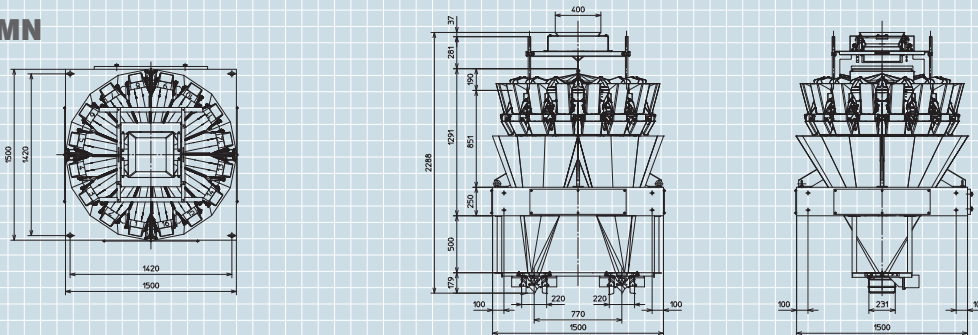


# Dimensions

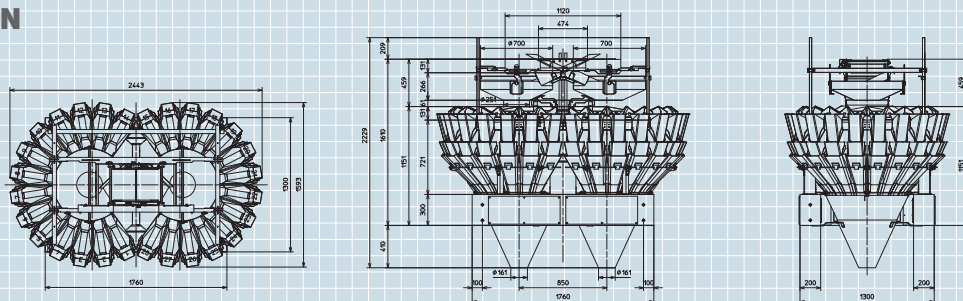
## ADW-A-0314S



## ADW-A-0316MN



## ADW-A-0328SN



# S Specifications

Model	ADW-A-0314S	ADW-A-0316MN	ADW-A-0328SN
Number of Weigh Head	14	16 (with memory bucket)	28
Max. Speed	140 wpm	2 x 100 wpm	2 x 140 wpm
Max. Combination Volume	3,000ml		
Weighing Range	4~500g (0.1g)		
Max. Product's Length	80mm		
Number of Weigh Head	Stepper Motor Driven		
Controller	RCU-920, 10.4inchi color touch screen		
External Interface	USB, Ethernet, RS-232C		
Operating temperature	-10°C~40°C		
Humidity	35~85%T (No condensation)		
Net Weight	350kg	890kg	1,240kg

The machines are covered by a number of patent worldwide.  
Above specifications and dimensions are subject to change without notice.



# Easy Operation



## Color Touch Screen Operator Interface

- 10.4 inch color touch screen
- User-friendly icons enables easy operation.
- Up to 300 pre-set programs can be memorized.
- 2 products mixing is available (ADW-A-0320S)

## USB Memory port



- Data acquisition
- Program update

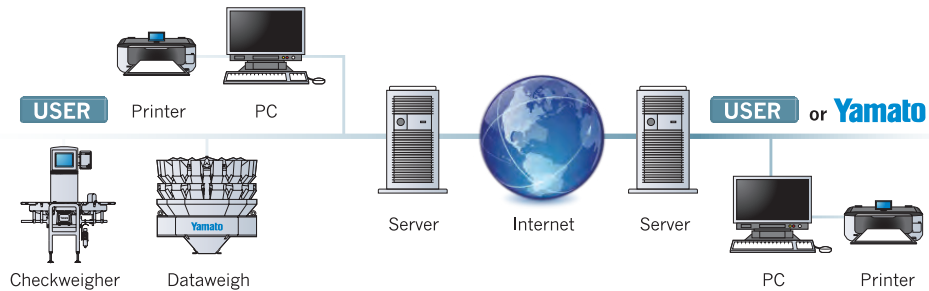
## Self-diagnostics

All important system conditions, including voltages, input/output status, software versions, and analog/ digital converter can be monitored and diagnosed through- the color touch screen operator interface.

# Network Remote Control and Data Acquisition

## Network connection capabilities (optional)

- PC remote control by LAN
- Data acquisition via USB, Ethernet or RS232C
- Feed back control between checkweigher and multihead weigher



# Production control function

Enter the number of packs you want for a certain recipe and once the production batch reach this number, the scale recipe can be automatically changed to the next one.

# About Yamato & Dataweigh™

Yamato Scale Co., Ltd. was founded in 1920 and has always been a leading manufacturer in the world of weighing machinery. In 1979, the first Dataweigh ADW-110 was developed. Since then, we have introduced many groundbreaking technologies, creating today's high-speed and highly accurate multihead weigher 'Dataweigh Series', which is used throughout the world. Our headquarters are in Akashi, Japan, and we have regional offices in the U.S.A., Canada, Germany, Netherlands, U.K., France, Russia, China and India. We also have a joint-venture in Korea and cover more than 70 countries with our representatives. Our highly experienced sales and service network provides customers around the world with a high level of expertise and service.

## ■ On-site-service



Installation



Application



Training



Repairs



Maintenance

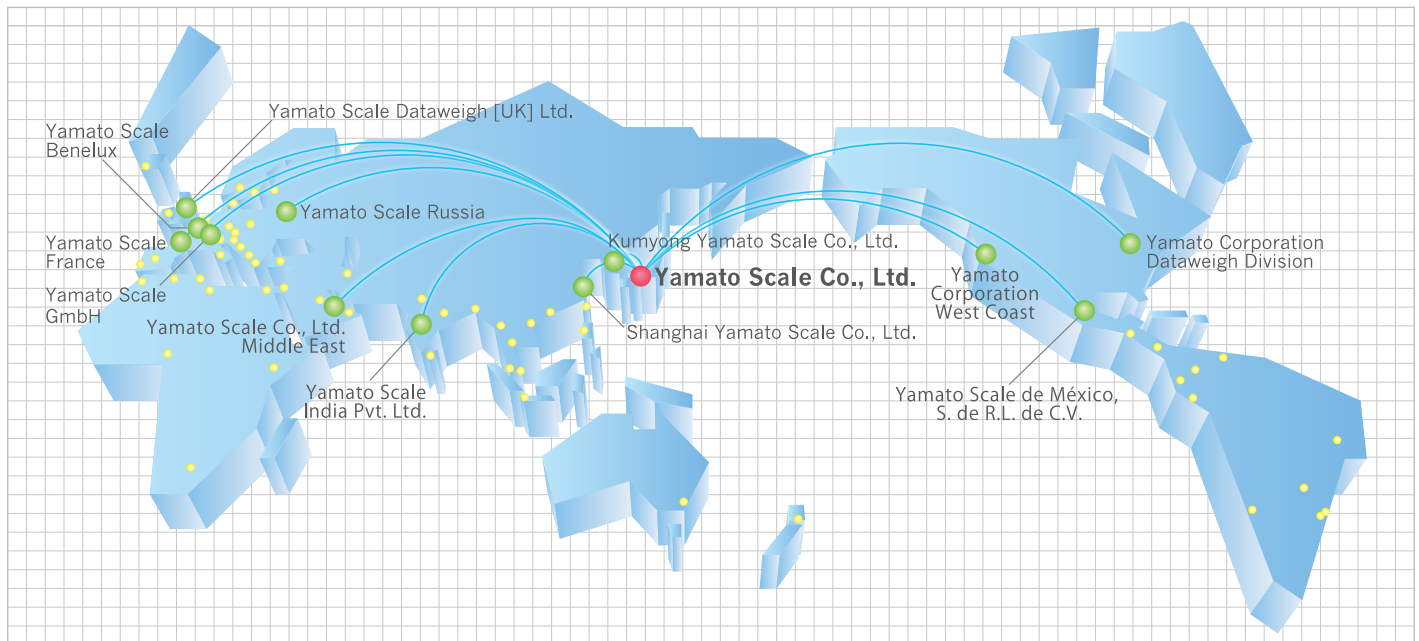


Helpdesk & hotline

## ■ In-house-service

## Worldwide Sales & Service Network

Yamato is the only manufacturer of multihead weighers with wholly owned operations in America, Europe and Asia.



## Spare Parts & Service

Yamato Spare Parts and Service are subject to the same high demands of quality as the machines themselves.



Speed, weight and volume listed are standard. Other ranges are also available when required, please contact Yamato. This machine is covered by number of patents worldwide. All illustrations and specifications are subject to change without notice.

### YAMATO SCALE CO., LTD.

5-22 Saenba-cho, Akashi, Japan  
673-8688  
Telephone : +81(78)918-5566-5567-5568  
Telefax : +81(78)918-5552  
URL : <http://www.yamato-scale.co.jp/>

### Yamato Scale GmbH

Hanns-Martin-Schleyer-Str. 13,  
D-47877 Willich, Germany  
Telephone : +49(0)2154 9159-0  
Telefax : +49(0)2154 40626  
URL : <http://www.yamatoscale.com/>  
E-mail : [sales@yamatoscale.com](mailto:sales@yamatoscale.com)

### LLC Yamato Scale

Lublinskaya str. 151,  
109341 Moscow, Russia  
Telephone : +7(495)620 4870  
Telefax : +7(495)620 4877  
URL : <http://www.yamatoscale.ru/>  
E-mail : [salesru@yamatoscale.com](mailto:salesru@yamatoscale.com)

### Yamato Corporation Dataweigh Division

6306 W. Eastwood Court  
Mequon, WI 53092 U.S.A.  
Telephone : +1(262)236-0000  
Telefax : +1(262)236-0036  
URL : <http://yamatoamericas.com/>  
E-mail : [info@yamatoamericas.com](mailto:info@yamatoamericas.com)

### Yamato Scale France

3 Avenue du Canada, Bâtiment Gamma,  
91940 LES ULIS, France  
Telephone : +33(0)1 64 53 24 40  
Telefax : +33(0)1 69 07 26 79  
URL : <http://www.yamato.fr/>  
E-mail : [Vente@yamato.fr](mailto:Vente@yamato.fr)

### Yamato Scale Benelux

Edisonstraat 4a, 5051 DS, Goirle,  
The Netherlands  
Telephone : +31(0)13 220 11 17  
Telefax : +31(0)13 460 90 81  
URL : <http://www.yamatoscale.nl/>  
<http://www.yamatoscale.be/>  
E-mail : [ysb@yamatoscale.com](mailto:ysb@yamatoscale.com)

### Yamato Scale de México, S. de R.L. de C.V.

Av. Dr. Gustavo Baz 191, Bodega F  
Col. El Mirador, CP. 54080, Tlalnepanitla  
de Baz, Estado de México, México  
Telephone : +52(55)2628-6140  
URL : <http://yamatoamericas.com/>

### Yamato Scale Dataweigh [UK] Ltd.

3 Maple Park, Lowfields Avenue, Leeds,  
LS12 6HH, England  
Telephone : +44(0)113 322 1546  
Telefax : +44(0)113 350 2020  
URL : <http://www.yamatoscale.co.uk/>  
E-mail : [sales@yamatoscale.co.uk](mailto:sales@yamatoscale.co.uk)

### Shanghai Yamato Scale Co., Ltd.

368, Qingda Road, Heqing Industrial Field, Pudong,  
Shanghai, ZIP code 201201, China  
Telephone : +86(21)58973377  
Telefax : +86(21)58973737  
URL : <http://www.yamatosh.com>

### Yamato Corporation-West Coast

Suite 1205 22600F Lambert Street  
Lake Forest, CA 92630  
Telephone : +1(949)238-4500  
URL : <http://www.YamatoAmericas.com>

### Yamato Scale India Pvt. Ltd.

B-104, Okhla Industrial Area, Phase-I,  
New Delhi 110020, India  
Telephone : +91(11)4607 2882  
Telefax : +91(11)4607 2881

### Yamato Scale Co., Ltd. Middle East (Branch)

Dubai Airport Freezone  
LIU-A07, P.O Box : 371911  
Telephone : +971(0)42952730  
Telefax : +971(0)42952729  
E-mail : [yamato@yme-01.ae](mailto:yamato@yme-01.ae)